

PRODUCT SPECIFICATIONS

OVERALL ASSEMBLED DIMENSIONS

HEIGHT: 394 MM (15-1/2"), WIDTH: 336 MM (13-1/4"), DEPTH: 267 MM (10-1/2").

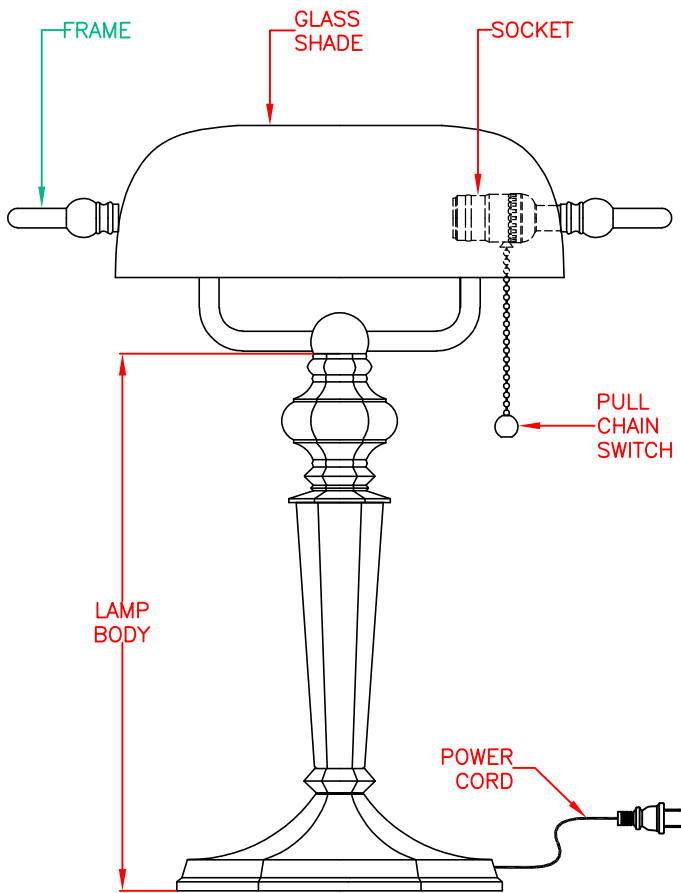
- 1 LIGHT:** UL LISTED, 120V, 60HZ, 60 WATT, MEDIUM BASE E-26 ALUMINUM SOCKET. ON/OFF PULL CHAIN SWITCH. THE SOCKET IS PB FINISH.
- GLASS SHADE:** CREAM GLASS SHADE, 228 MM (9") LENGTH x 140 MM (5-1/2") WIDTH x 80 MM (3-1/8") HEIGHT. SHAPED AS SHOWN.
- FRAME:** PLATED STEEL IN GOLDEN BRONZE FINISH, 9.7 MM (3/8") DIA. TUBING, 340 MM (13-3/8") LENGTH x 100 MM (3-15/16") WIDTH x 93 MM (3-11/16") HEIGHT.
- LAMP BODY:** PLATED STEEL IN GOLDEN BRONZE FINISH, HEXAGON, POINT-POINT: 165 MM (6-1/2"), FLAT-FLAT: 143 MM (5-5/8"). HEIGHT: 273 MM (10-3/4"). FELT PAD INSTALLED ON BOTTOM OF LAMP BODY.
- CORD:** UL LISTED, MIN 1830 MM (6 FT.) LENGTH, 18 AWG., 2 CONDUCTORS, 105°C, TYPE SPT-2, SILVER/CLEAR COLOR, COPPER MATERIAL, PLATED SILVER. WIRES MUST BE LEAD FREE.
- LABELS:** UL AND CSA OR CUL, MANUFACTURING DATE, MODEL # AND COUNTRY OF ORIGIN LABEL PROVIDED. RELAMPING LABEL FOR 60 WATT MAX. TYPE "A" BULB PROVIDED ON SOCKET.

PACKAGING AND SHIPPING DETAILS

- THE LAMP IS ASSEMBLED FOR SHIPPING. THE LAMP IS CAREFULLY WRAPPED IN A PLASTIC BAG AND PLACED SECURELY IN THE INNER PACKING SO IT CAN NOT MOVE AROUND DURING SHIPPING. A SMALL BAG OF SILICA IS INCLUDED IN THE PACKAGE.
- THE CARTON IS MADE OF DOUBLE WALL, CORRUGATED CARDBOARD "A MA A". BROWN IN COLOR. THE INNER PACKING IS DIE-CUT CARDBOARD OR STYROFOAM TO PROTECT AND SECURE THE LAMP AND MUST PASS THE FEDEX AND ISTA-3A DROP TEST REQUIREMENTS.
- EACH CARTON SHALL BE PRINTED WITH A LINE DRAWING AND THE KENROY HOME NAME AND LOGO, MODEL NUMBER AND FINISH, EACH CARTON SHALL BE PROVIDED A UPC LABEL. THE UPC BAR CODE AS FOLLOWS: GBRZ=053392089986.

OTHER DETAILS

- MODEL 20615 INSTRUCTIONS ARE TO BE PACKED WITH EACH LAMP. INSTRUCTIONS MUST BE PRINTED CLEARLY ON QUALITY PAPER.
- ALL VISIBLE PARTS, EXCEPT SHADE, MUST MATCH LAMP FINISH UNLESS OTHERWISE SPECIFIED.
- ALL BAGS MUST BE LABELED WITH OFFICIAL "THIS BAG IS NOT A TOY" STATEMENT.
- LAMP MUST REST FLAT ON SURFACE AND NOT ROCK. LAMP MUST PASS AN 8° TILT TEST.
- DIMS OF BOX: 489 MM (19-1/4") LENGTH x 241 MM (9-1/2") WIDTH x 380 MM (15") HEIGHT. (CUFT.: 1.59')
- NET WEIGHT: 5 LBS. GROSS WEIGHT: 7.4 LBS.
- THE UL NUMBER IS E313718.



**KENROY
HOME**

3723 Regent Boulevard
JACKSONVILLE, FL. 32224
PHONE: 904-642-4340
FAX: 904-642-4150

THIS DOCUMENT AND THE INFORMATION THAT IT DISCLOSES IS THE EXCLUSIVE PROPERTY OF KENROY HOME. ANY REPRODUCTION OR USE OF THIS DRAWING IN PART OR IN WHOLE, WITHOUT THE EXPRESS CONSENT OF THE PROPRIETOR IS PROHIBITED. © 2008 KENROY HOME.

DATE: 5/27/2008

SCALE: NONE

DRAWN BY: JAMES

REFERENCE:
MACKINLEY BANKER LAMP

APPROVAL:

REVISION DATE:
8/17/2015 add notes

REVISION DATE:
10/10/2017 add notes

REVISION DATE:
4/27/2018 add adjust the length of pull chain

REVISION DATE:
3/31/2020 Use new INS.

MODEL #:

20615GBRZ

FINISHES:
GOLDEN BRONZE

PAGE: 1 OF 1