

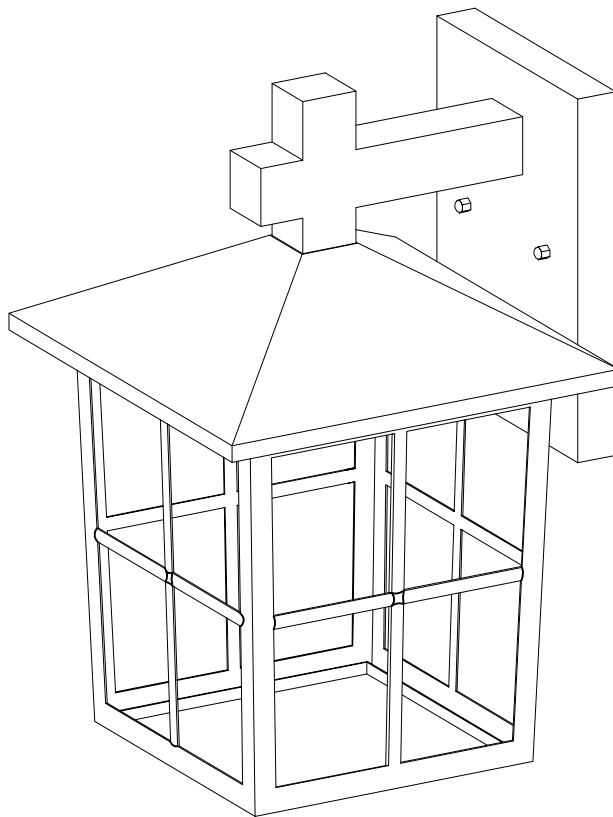


Kenroy Home

ALL • TOGETHER • BETTER

USE AND CARE GUIDE

1 LIGHT LANTERN-#93277, #93276



Above image represents 93277, 93276,
your lantern may vary in style.

Questions, problems, missing parts? Before returning to the store,
call Kenroy Home Customer Service
8 a.m.-6 p.m., EST, Monday-Friday

904-642-4340

THANK YOU

We appreciate the trust and confidence you have placed in Kenroy Home through the purchase of this lantern.
We strive to continually create quality products designed to enhance your home.
Thank you for choosing us!

Table of Contents

Safety Information	2
Warranty	2
Pre-Installation	3
Planning Installation	3
Package Contents	4
Installation	5 , 6, 7
Care and Cleaning	7
Troubleshooting	7

Safety Information

- Consult a qualified electrician with any electrical questions you may have.



IMPORTANT: Inspect the wire insulation for any cuts, abrasions, or exposed copper that may have occurred during shipping. If there is a defect in the wire, do not continue the assembly process. Please call our Customer Service Team at 904-642-4340.

Warranty

1-YEAR LIMITED WARRANTY

WHAT IS COVERED

The manufacturer warrants this lantern to be free from defects in the materials and workmanship for a period of one (1) year from date of purchase. This warranty applies only to the original consumer purchaser and only to products used in normal use. If this product is found to be defective, the manufacturer's only obligation, and your exclusive remedy, is the repair or replacement of the product at the manufacturer's discretion, provided that the product has not been damaged through misuse, abuse, accident, modifications, alterations, neglect or mishandling. This warranty shall not apply to any product that is found to have been improperly installed, assembled, or used in any way not in accordance with the instructions supplied with the product. This warranty shall not apply to a failure of the product as a result of an accident, misuse, abuse, negligence, alteration, faulty installation, or any other failure not relating to faulty material or workmanship.

WHAT IS NOT COVERED

This warranty shall not apply to the finish on any portion of the product due to weathering, as this is considered normal wear. The manufacturer does not warrant and specifically disclaims any warranty, whether expressed or implied, other than the warranty contained herein. The manufacturer specifically disclaims any liability and shall not be liable for any consequential or incidental loss or damage, including but not limited to, any labor or expense costs involved in the replacement or repair of the product.

Contact the Customer Service Team at 904-642-4340.

Pre-Installation

PLANNING INSTALLATION

Read all instructions before assembly.

To avoid damaging this product, assemble it on a soft, non-abrasive surface such as carpet or cardboard. Inspect each part for defects that may have occurred during shipping.

Keep your receipt and these instructions for proof of purchase.



NOTE: This lantern requires the use of one 120V, 60Hz, 60-Watt max, medium-base type A bulb (not included). Do not exceed the recommended wattage.



NOTE: This item is rated for wet location: IP03.

TOOLS REQUIRED



Phillips
screwdriver



Flathead
screwdriver



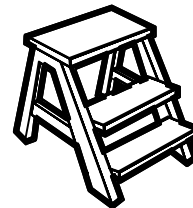
Electrical
tape



Wire
strippers



Wire cutters



Ladder

HARDWARE INCLUDED



NOTE: Hardware not shown to actual size.



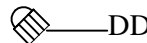
—AA



—BB



—CC



—DD

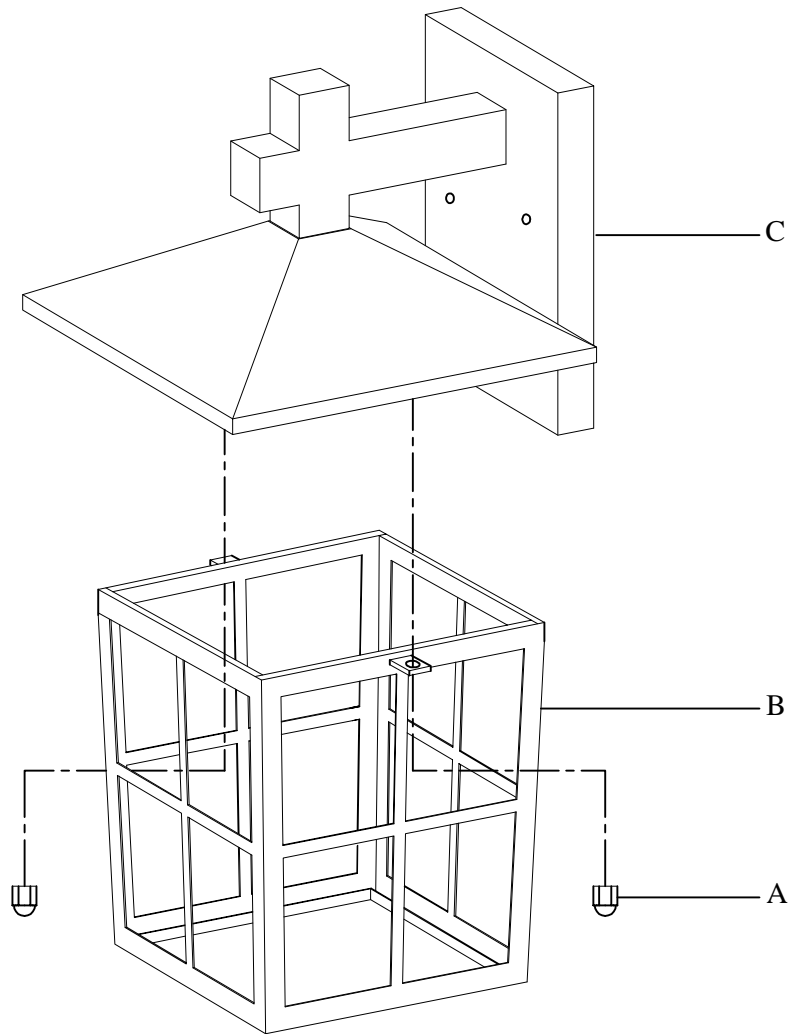


—EE

Part	Description	Quantity
AA	Wire nut	3
BB	Mounting plate assembly	1
CC	Outlet box screw	2
DD	Finial	2
EE	Ground screw	1

Pre-Installation (continued)

PACKAGE CONTENTS

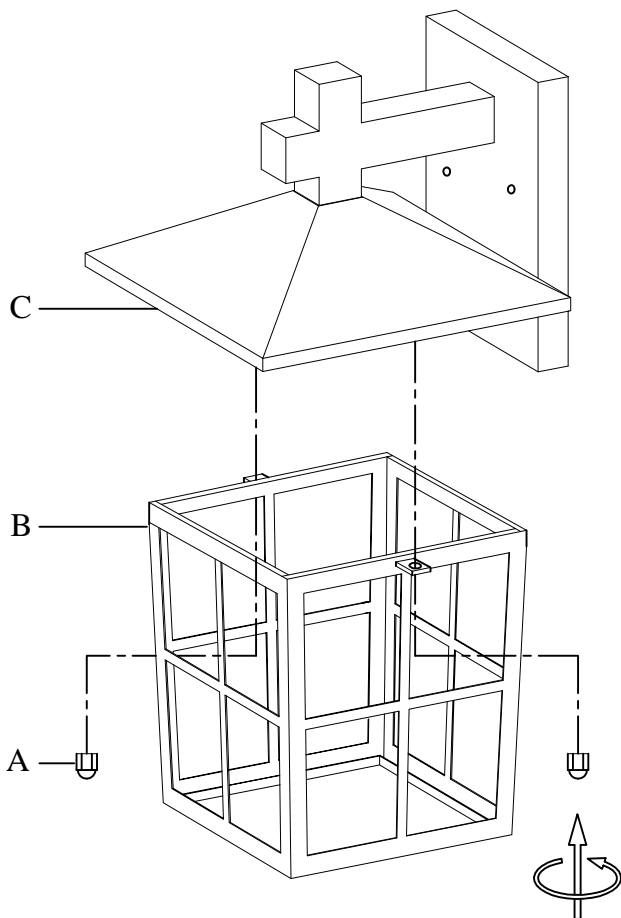


Part	Description	Quantity
A	Finial	2
B	Lantern body	1
C	Roof assembly	1

Assembly instructions

1. Assemble the lantern

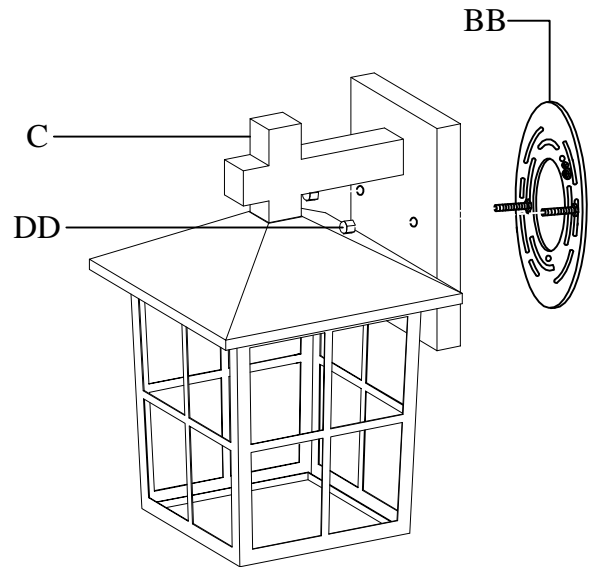
- Carefully organize and place all parts on a smooth, flat surface. Line up all of the parts according to the assembly diagram.
- Place the lantern body (B) to bottom of the roof assembly (C) and secure with two finials (A).



Installation instructions

1. Remove the mounting plate

- Remove the mounting plate assembly (BB) from the roof assembly (C) by unscrewing the two finials (DD).

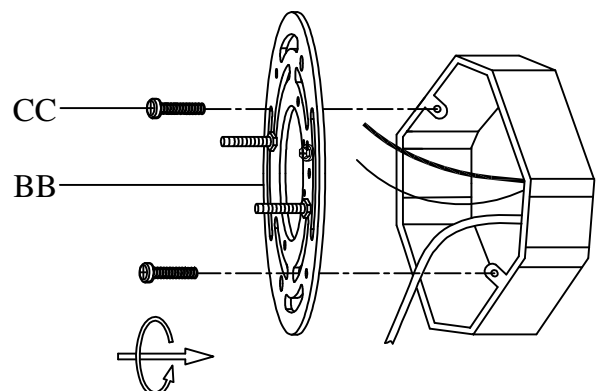


2. Installing the mounting plate



DANGER: Ensure the power is off at the main fuse box prior to beginning installation.

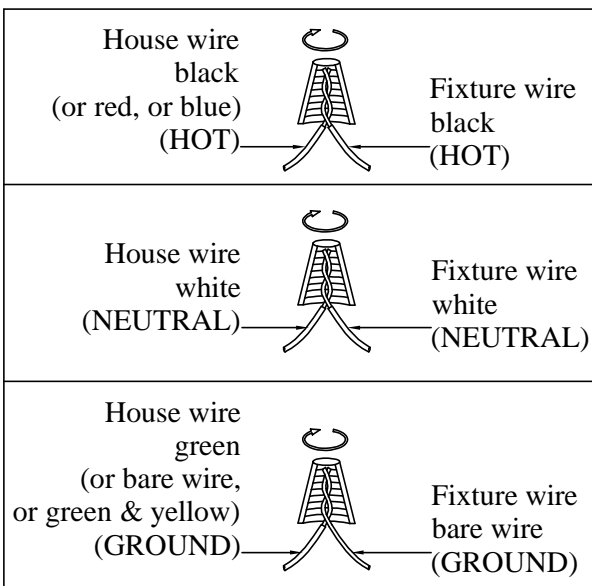
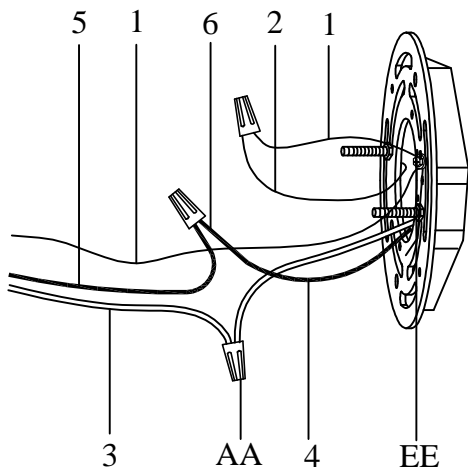
- Turn off the switch at the wall.
- Turn the power off at the main fuse box.
- Attach the mounting plate (BB) to the outlet box using the outlet box screws (CC).



Installation instructions (continued)

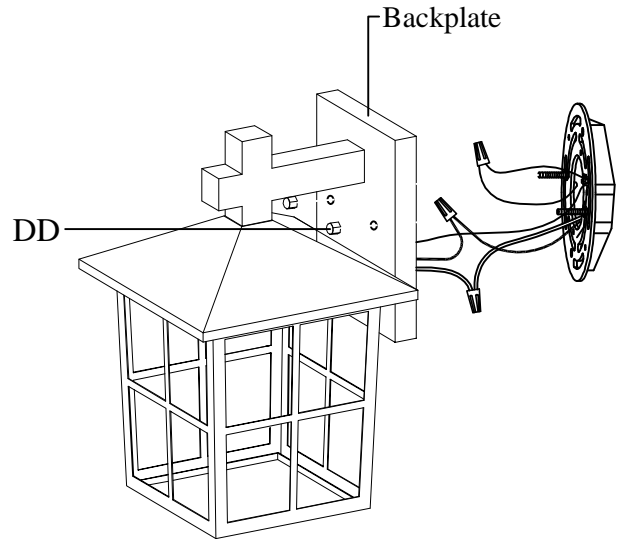
3. Connecting the wires

- Install the fixture bare copper ground wire (1) under the ground screw (EE) on the mounting plate (BB).
- Connect the fixture bare copper ground wire (1) to the green (or bare, or green & yellow) supply ground wire (2) in the outlet box using a wire nut (AA).
- Connect the white fixture wire (3) to the white (or ribbed) supply wire (4) in the outlet box using a wire nut (AA).
- Connect the black fixture wire (5) to the black (or red, or blue) supply wire (6) in the outlet box using a wire nut (AA).



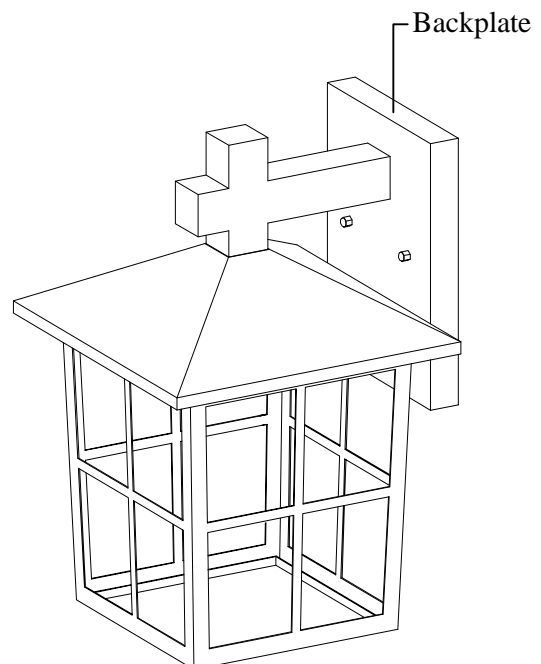
4. Installing the fixture

- Raise fixture body to the wall and carefully tuck the wires inside the outlet box. spread the electrical splices so that the black wires are on one side of the outlet box and the white wires are on the other side. line up screws with holes in backplate and secure with two finials (DD).



5. Sealing the mounting surface

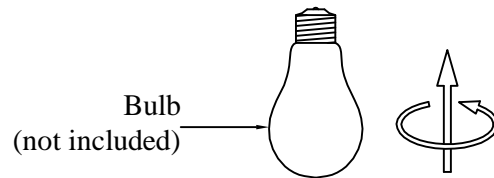
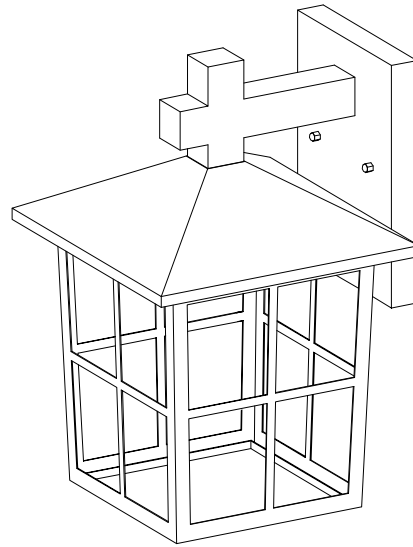
- Apply silicon or RTV compound between the edges of backplate and wall.



Installation instructions (continued)

6. Installing the bulb

- Prior to installing the bulb, please inspect socket for silica packet. if packet is present, remove and throw away. do not expose to children and pets.
- Install one 120V, 60Hz, 60-watt max. medium-base type A bulb (not included) into the socket.



Care and Cleaning

- Clean the light fixture with a soft, dry cloth. Do not use any cleaners with chemicals, solvents, or harsh abrasives.

Troubleshooting

Problem	Possible Cause	Solution
The bulb will not light.	□ The bulb is burned out.	□ Replace the light bulb.
	□ The power is off.	□ Ensure that the power supply is turned on.
	□ There is a faulty wire connection.	□ Check the wiring.
	□ The circuit breaker is off.	□ Ensure that the circuit breaker is set in the on position.
The fuse blows or a circuit breaker trips when the light is turned on.	□ There is an exposed wire. □ There are too many items on one circuit.	□ Discontinue use of the light fixture. □ Contact a qualified electrician or call the Customer Service Team at 904-642-4340. □ Unplug other items on the circuit.




ALL • TOGETHER • BETTER



www.kenroyhome.com

CUSTOMER SUPPORT TEAM

For any additional questions or concerns please contact our Customer Support Team:

 **904-642-4340**

 **@KenroyHome**

 **customerorders@kenroyhome.com**