

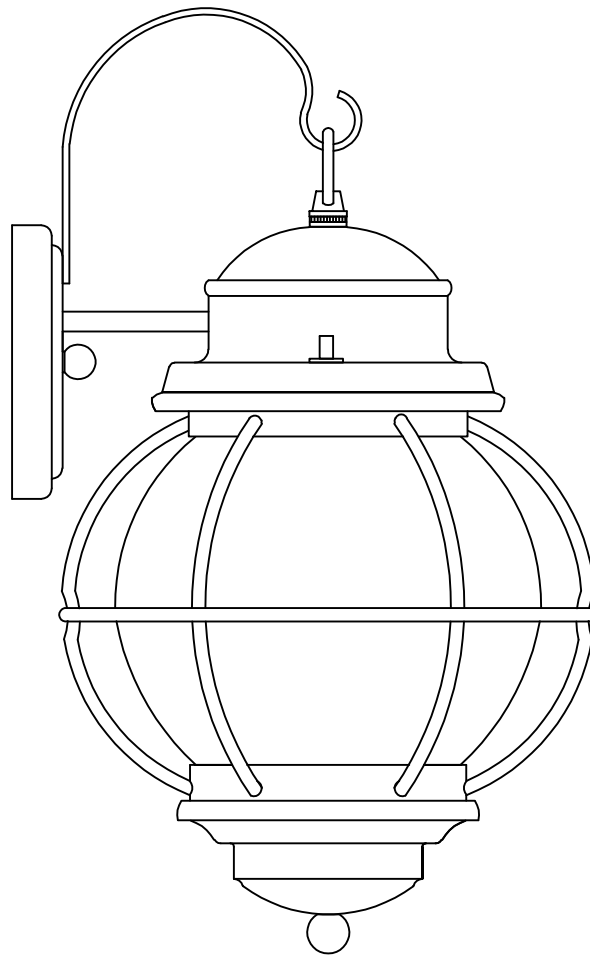


ALL • TOGETHER • BETTER

USE AND CARE GUIDE

HATTERAS 1 LIGHT WALL LANTERN

#90961 / #90962 / #90963



Questions, problems, missing parts? Before returning to the store,
call Kenroy Home Customer Service
8 a.m.-6 p.m., EST, Monday-Friday

904-642-4340

THANK YOU

We appreciate the trust and confidence you have placed in Kenroy Home through the purchase of this lantern.
We strive to continually create quality products designed to enhance your home.
Thank you for choosing us!

Table of Contents

Safety Information	2
Warranty	2
Pre-Installation	3
Planning Installation	3
Package Contents	4
Installation	5, 6, 7
Care and Cleaning	7
Troubleshooting	7

Safety Information

Consult a qualified electrician with any electrical questions you may have.



IMPORTANT: Inspect the wire insulation for any cuts, abrasions, or exposed copper that may have occurred during shipping. If there is a defect in the wire, do not continue the assembly process. Please call our Customer Service Team at 904-642-4340.

Warranty

1-YEAR LIMITED WARRANTY

WHAT IS COVERED

The manufacturer warrants this vanity to be free from defects in the materials and workmanship for a period of one (1) year from date of purchase. This warranty applies only to the original consumer purchaser and only to products used in normal use. If this product is found to be defective, the manufacturer's only obligation, and your exclusive remedy, is the repair or replacement of the product at the manufacturer's discretion, provided that the product has not been damaged through misuse, abuse, accident, modifications, alterations, neglect or mishandling. This warranty shall not apply to any product that is found to have been improperly installed, assembled, or used in any way not in accordance with the instructions supplied with the product. This warranty shall not apply to a failure of the product as a result of an accident, misuse, abuse, negligence, alteration, faulty installation, or any other failure not relating to faulty material or workmanship.

WHAT IS NOT COVERED

This warranty shall not apply to the finish on any portion of the product due to weathering, as this is considered normal wear. The manufacturer does not warrant and specifically disclaims any warranty, whether expressed or implied, other than the warranty contained herein. The manufacturer specifically disclaims any liability and shall not be liable for any consequential or incidental loss or damage, including but not limited to, any labor or expense costs involved in the replacement or repair of the product.

Contact the Customer Service Team at 904-642-4340.


Pre-Installation


PLANNING INSTALLATION

Read all instructions before assembly.

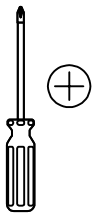
To avoid damaging this product, assemble it on a soft, non-abrasive surface such as carpet or cardboard. Inspect each part for defects that may have occurred during shipping.

Keep your receipt and these instructions for proof of purchase.

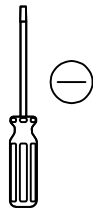
 NOTE: This lantern requires the use of one 120V, 60Hz, 100-Watt max, medium-base type A bulb (not included). Do not exceed the recommended wattage.

 NOTE: This item is rated for wet location: IP34.

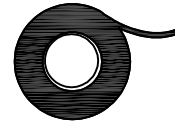
TOOLS REQUIRED



Phillips screwdriver



Flathead screwdriver



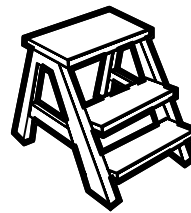
Electrical tape



Wire strippers




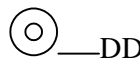
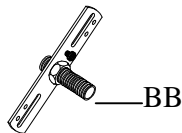
Wire cutters



Ladder

HARDWARE INCLUDED

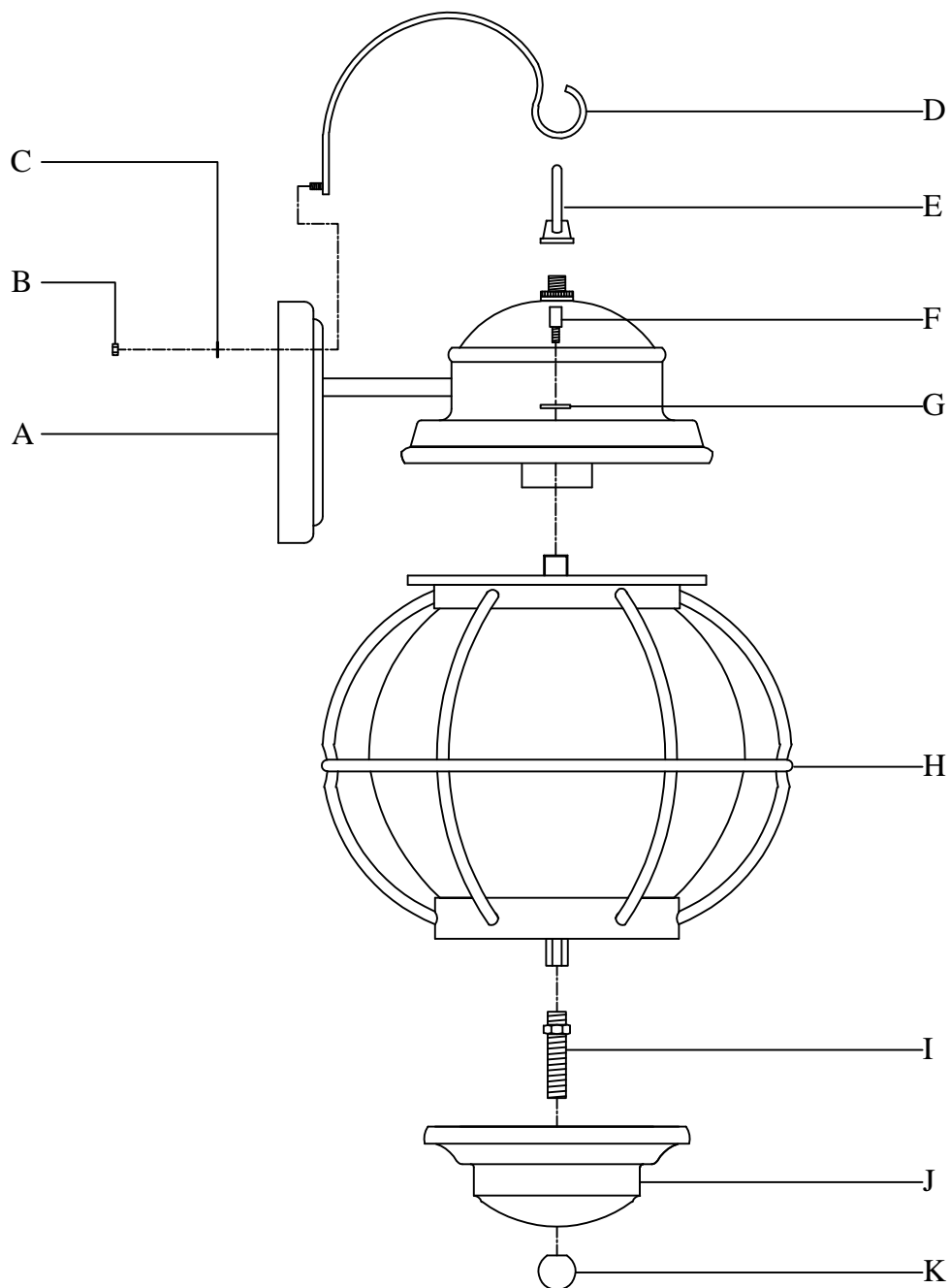
 NOTE: Hardware not shown to actual size.



Part	Description	Quantity
AA	Wire nut	3
BB	Cross bar assembly	1
CC	Outlet box screw	2
DD	Large rubber washer	1
EE	Ball finial	1
FF	Ground screw	1

Pre-Installation (continued)

PACKAGE CONTENTS



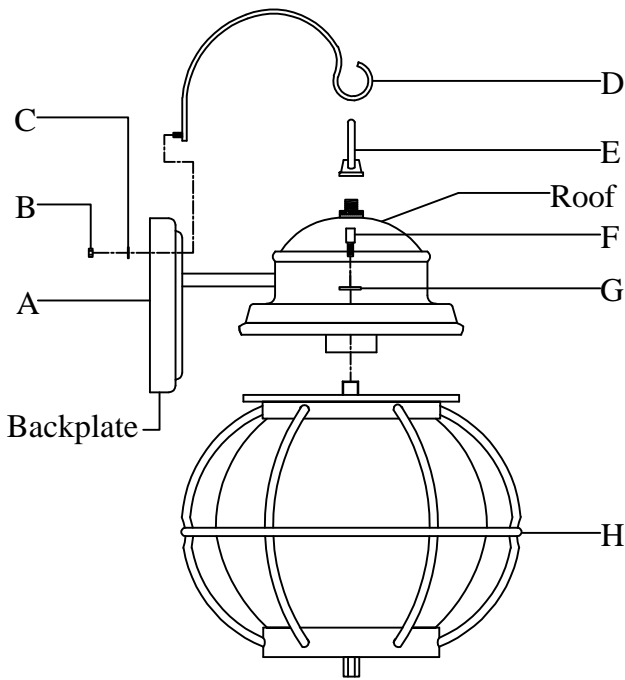
Part	Description	Quantity
A	Lantern body	1
B	Nut	1
C	Metal washer	1
D	Arm	1
E	Loop	1
F	Thumb screw	2

Part	Description	Quantity
G	Small rubber washer	2
H	Lantern cage	1
I	Nipple	1
J	Font	1
K	Ball finial	1

Assembly instructions

1. Assembling the lantern body

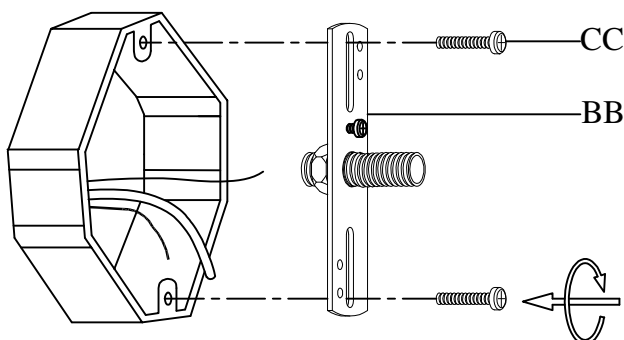
- Carefully unpack the fixture, lay out all parts on clean surface.
- Remove lantern cage (H) from lantern body (A) by unscrewing two thumb screws (F).
- Screw loop (E) to top of roof.
- Hook end of the arm (D) to the loop (E).
- Secure arm (D) to backplate with the metal washer (C) and the nut (B) from back of the backplate.



1. Installing the mounting plate

CAUTION: Ensure the power is off at the main fuse box prior to beginning installation.

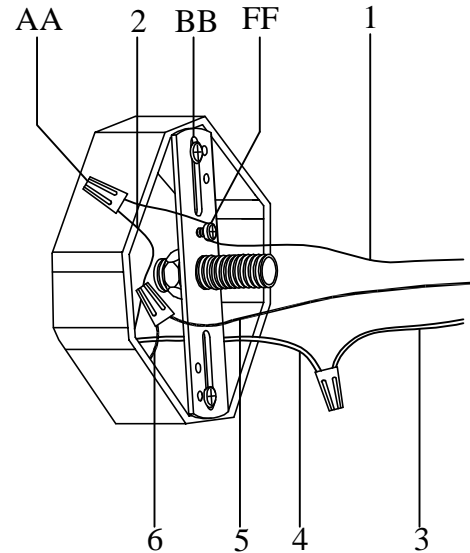
- Turn off the switch at the wall.
- Turn the power off at the main fuse box.
- Attach the cross bar assembly (BB) to the outlet box using the outlet box screws (CC).



Installation instructions

2. Connecting the wires

- Install the fixture bare copper wire (1) under the ground screw (FF) on the cross bar (BB).
- Connect the fixture bare copper wire (1) to the green (or bare, or green & yellow) supply ground wire (2) in the outlet box using a wire nut (AA).
- Connect the white fixture wire (3) to the white (or ribbed) supply wire (4) in the outlet box using a wire nut (AA).
- Connect the black fixture wire (5) to the black (or red, or blue) supply wire (6) in the outlet box using a wire nut (AA).

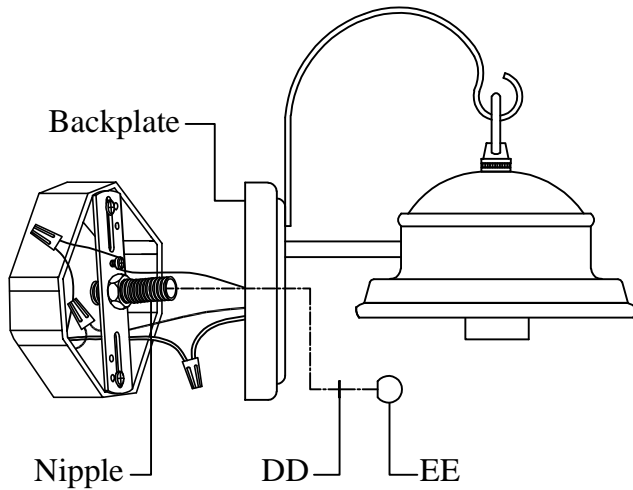


House wire black (or red, or blue) (HOT)		Fixture wire black (HOT)
House wire white (NEUTRAL)		Fixture wire white (NEUTRAL)
House wire green (or bare wire, or green & yellow) (GROUND)		Fixture wire bare wire (GROUND)

Installation instructions (continued)

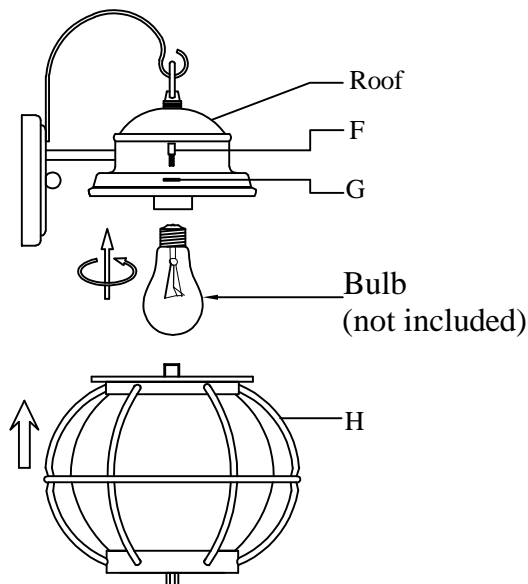
3. Hanging the lantern body

- Push all excess wires into the outlet box.
- Line up the hole of backplate with the nipple, then secure the backplate to the wall with the large rubber washer (DD) and ball finial (EE).



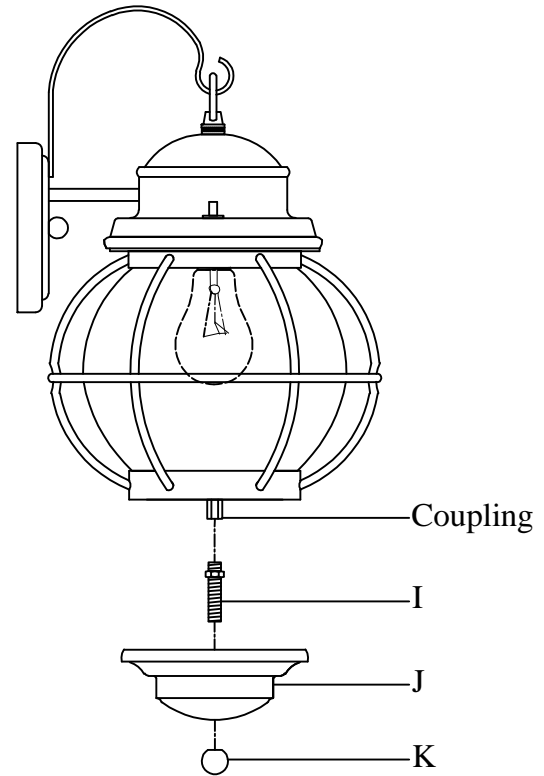
4. Installing the bulb

- Prior to installing the bulb, inspect socket for silica packet. If packet is present, then remove and throw away. Do not expose it to children or pets.
- Install one 120V, 60Hz, 100-watt max., medium-base, type A bulb (not included) into the socket.
NOTE: If LED bulb is used, the LED bulb must be rated for damp locations and enclosed luminaries.
- Raise the lantern cage (H) to the bottom of roof and secure with the two small rubber washers (G) and the two thumb screws (F).



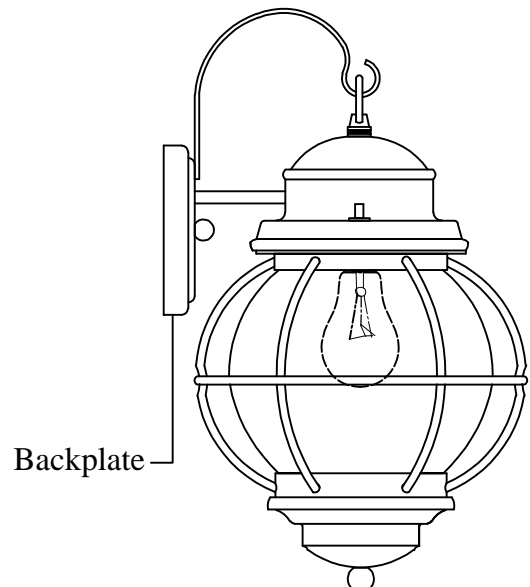
5. Installing the font

- Screw the nipple (I) to the coupling and secure with the nut.
- Slide the font (J) over the long nipple (I) and secure with the ball finial (K).



6. Sealing the mounting surface

- Apply silicon or RTV compound between the edges of backplate and wall.



Installation instructions (continued)

Care and Cleaning

- Clean the light fixture with a soft, dry cloth. Do not use any cleaners with chemicals, solvents, or harsh abrasives.

Troubleshooting

Problem	Possible Cause	Solution
The bulb will not light.	□ The bulb is burned out.	□ Replace the light bulb.
	□ The power is off.	□ Ensure that the power supply is turned on.
	□ There is a faulty wire connection.	□ Check the wiring.
	□ The circuit breaker is off.	□ Ensure that the circuit breaker is set in the on position.
The fuse blows or a circuit breaker trips when the light is turned on.	<ul style="list-style-type: none">□ There is an exposed wire.□ There are too many items on one circuit.	<ul style="list-style-type: none">□ Discontinue use of the light fixture.□ Contact a qualified electrician or call the Customer Service Team at 904-642-4340.□ Unplug other items on the circuit.




ALL • TOGETHER • BETTER



www.kenroyhome.com

CUSTOMER SUPPORT TEAM

For any additional questions or concerns please contact our Customer Support Team:

 **904-642-4340**

 **@KenroyHome**

 **customerorders@kenroyhome.com**