

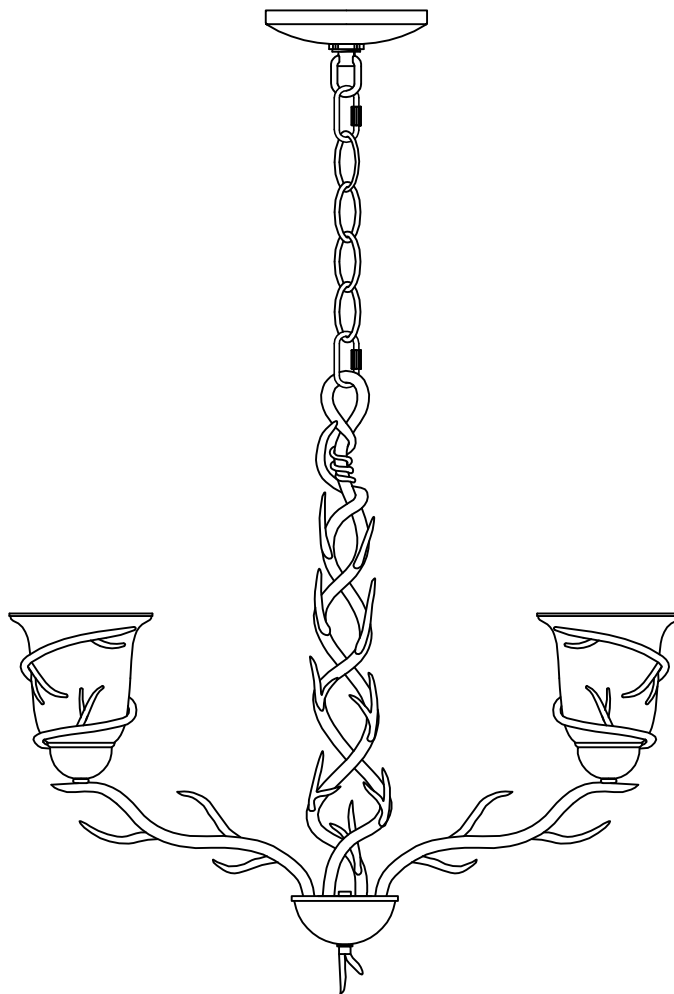
# Kenroy Home

ALL • TOGETHER • BETTER

## USE AND CARE GUIDE

---

TWIGS 6 LIGHT CHANDELIER-# 90900



Questions, problems, missing parts? Before returning to the store,  
call Kenroy Home Customer Service  
8 a.m.-6 p.m., EST, Monday-Friday

**904-642-4340**

---

### ***THANK YOU***

We appreciate the trust and confidence you have placed in Kenroy Home through the purchase of this item.  
We strive to continually create quality products designed to enhance your home.  
Thank you for choosing us!

# Table of Contents

---

Safety Information .....	2
Warranty .....	2
Pre-Installation .....	3
Planning Installation .....	3
Package Contents .....	4
Assembly .....	5
Installation .....	5, 6, 7
Care and Cleaning .....	7
Troubleshooting .....	7

## Safety Information

---

- Consult a qualified electrician with any electrical questions you may have.



**IMPORTANT:** Inspect the wire insulation for any cuts, abrasions, or exposed copper that may have occurred during shipping. If there is a defect in the wire, do not continue the assembly process. Please call our Customer Service Team at 904-642-4340.

## Warranty

---

### 1-YEAR LIMITED WARRANTY

#### WHAT IS COVERED

The manufacturer warrants this pendant to be free from defects in the materials and workmanship for a period of one (1) year from date of purchase. This warranty applies only to the original consumer purchaser and only to products used in normal use. If this product is found to be defective, the manufacturer's only obligation, and your exclusive remedy, is the repair or replacement of the product at the manufacturer's discretion, provided that the product has not been damaged through misuse, abuse, accident, modifications, alterations, neglect or mishandling. This warranty shall not apply to any product that is found to have been improperly installed, assembled, or used in any way not in accordance with the instructions supplied with the product. This warranty shall not apply to a failure of the product as a result of an accident, misuse, abuse, negligence, alteration, faulty installation, or any other failure not relating to faulty material or workmanship.

#### WHAT IS NOT COVERED

This warranty shall not apply to the finish on any portion of the product due to weathering, as this is considered normal wear. The manufacturer does not warrant and specifically disclaims any warranty, whether expressed or implied, other than the warranty contained herein. The manufacturer specifically disclaims any liability and shall not be liable for any consequential or incidental loss or damage, including but not limited to, any labor or expense costs involved in the replacement or repair of the product.

Contact the Customer Service Team at 904-642-4340.


# Pre-Installation

## PLANNING INSTALLATION

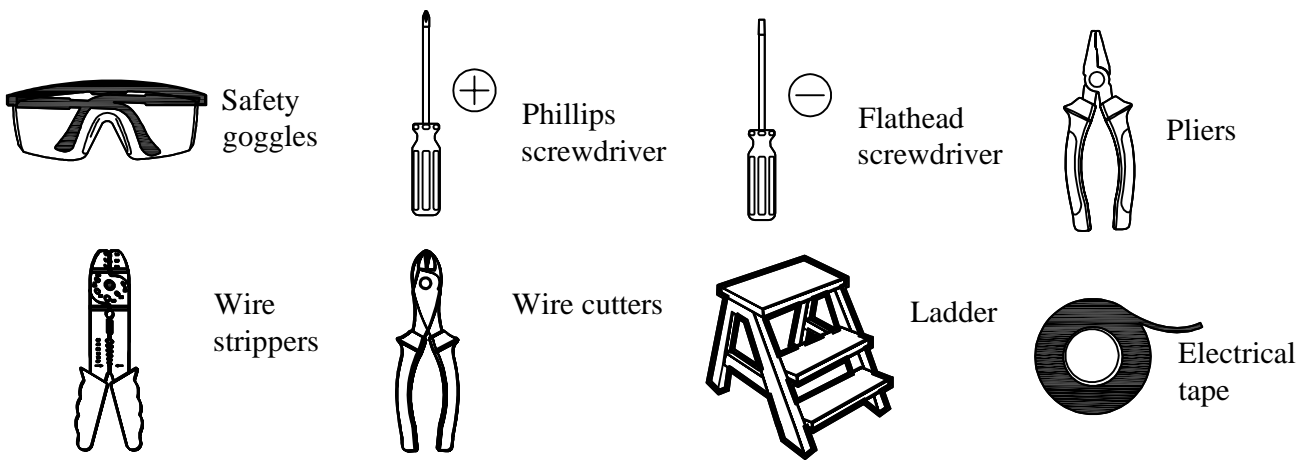
Read all instructions before assembly.

To avoid damaging this product, assemble it on a soft, non-abrasive surface such as carpet or cardboard. Inspect each part for defects that may have occurred during shipping.


Keep your receipt and these instructions for proof of purchase.

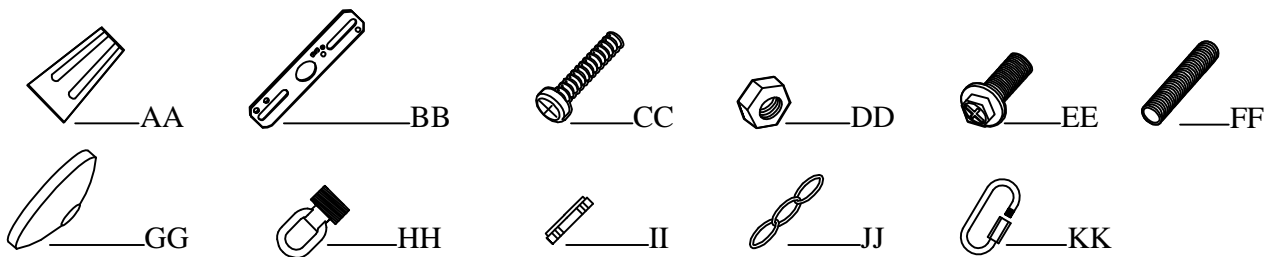
 NOTE: This item requires the use of six 120V, 60Hz, 60-Watt max, medium base type A bulbs (not included). Do not exceed the recommended wattage.

## TOOLS REQUIRED



## HARDWARE INCLUDED

 NOTE: Hardware not shown to actual size.

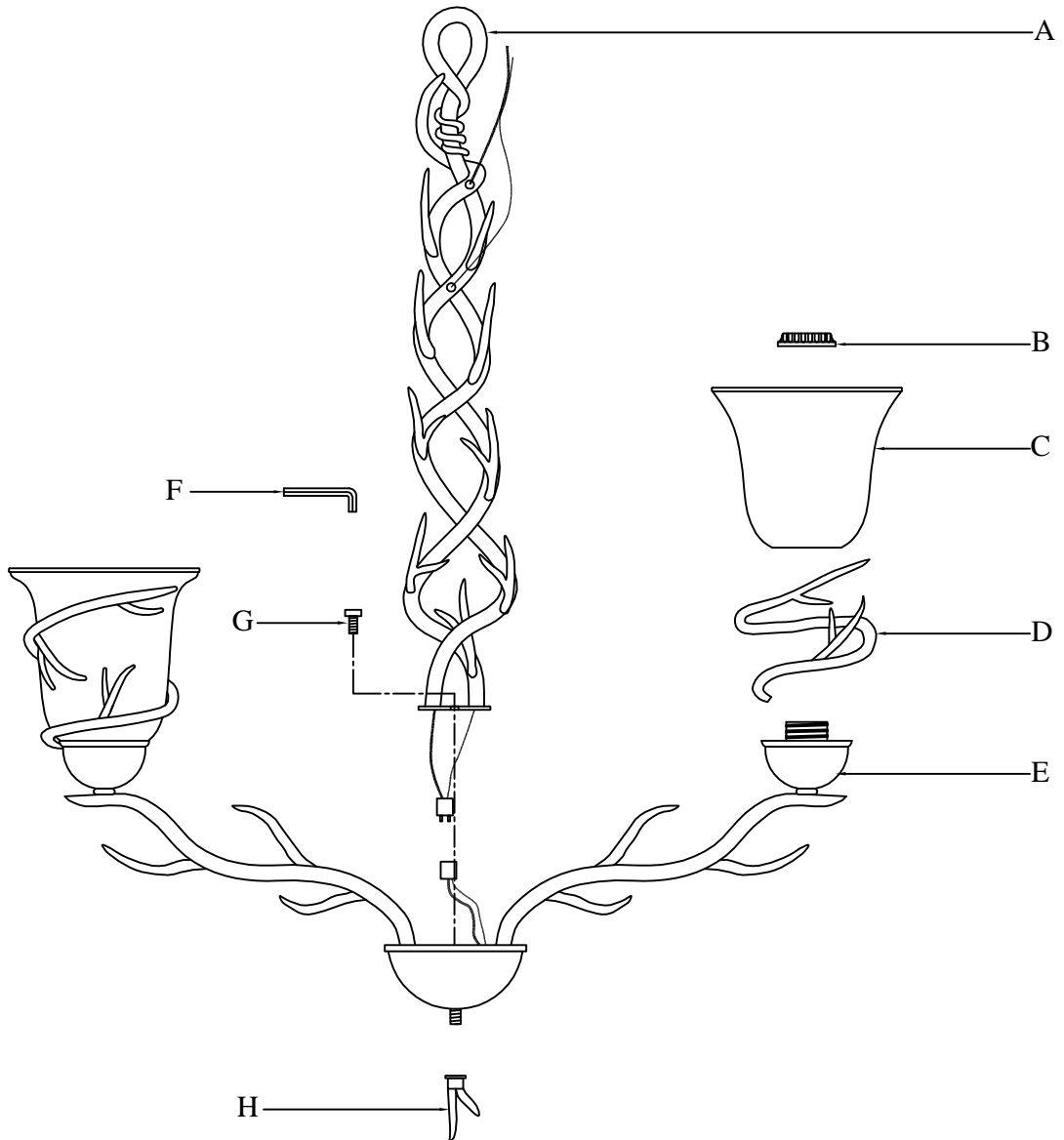


Part	Description	Quantity
AA	Wire nut	3
BB	Cross bar	1
CC	Outlet box screw	2
DD	Lock nut	1
EE	Ground screw	1
FF	Nipple	1

Part	Description	Quantity
GG	Canopy	1
HH	Screw Collar Loop	1
II	Screw Collar Nut	1
JJ	Chain	1
KK	Quick link	2

# Pre-Installation (continued)

## PACKAGE CONTENTS

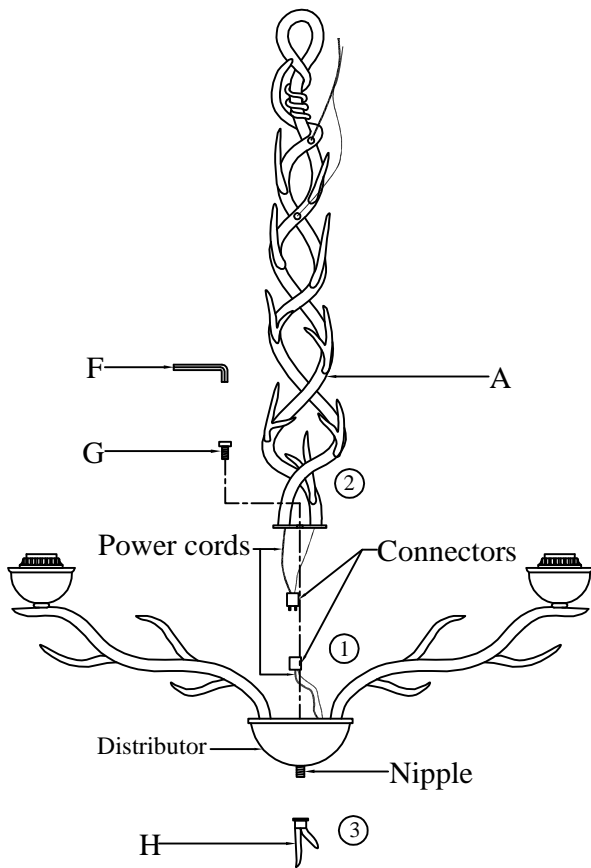


Part	Description	Quantity
A	Column assembly	1
B	Socket ring	6
C	Glass shade	6
D	Twig crown	6
E	Fixture body	1
F	Allen wrench	1
G	Screw	1
H	Finial	1

# Assembly instructions

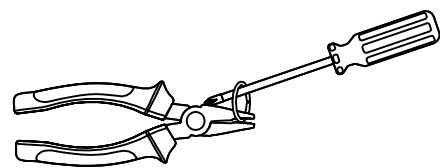
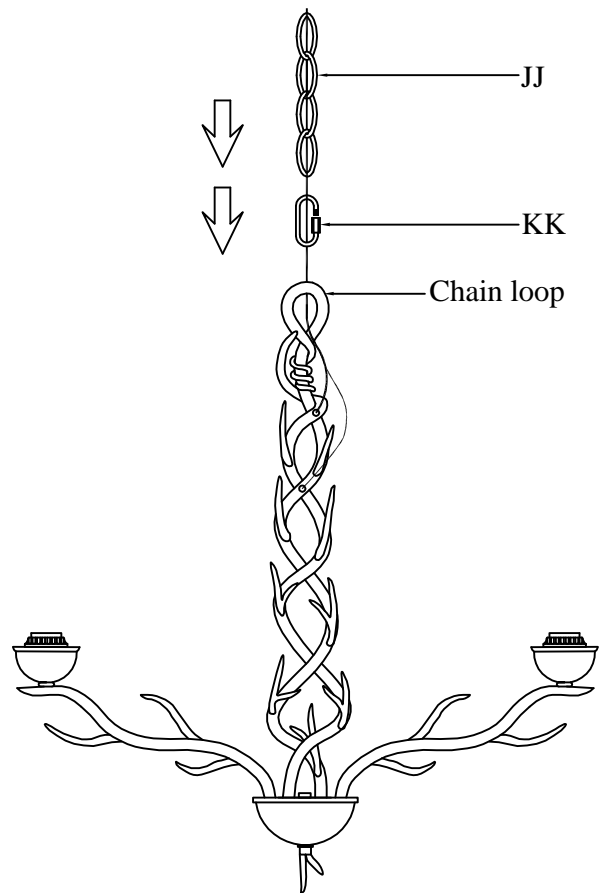
## 1 Assembling the fixture body

- Carefully unpack the fixture, lay out all parts on clean surface.
- Join the connectors together.
- Secure the column (A) to the top of the distributor with the screw (G).  
(Allen wrench (F) included)
- Screw the finial (H) to the nipple under distributor.



## 2 Preparing light fixture to hang

- Attach the quick link (KK) to one end link of chain (JJ) and attach the quick link (KK) to the chain loop.  
Note: The quick link (KK) must be fully treaded closed.
- Remove the excess chain links from the chain (JJ) in order to achieve the desired length for hanging the fixture .
- Thread the fixture wire and bare copper ground wire up through every other link in the chain (JJ).



To open a chain link: Use a pair of pliers and a screwdriver as shown above to open a chain link. Wrap the jaws of the pliers with cloth to protect the finish of the chain.

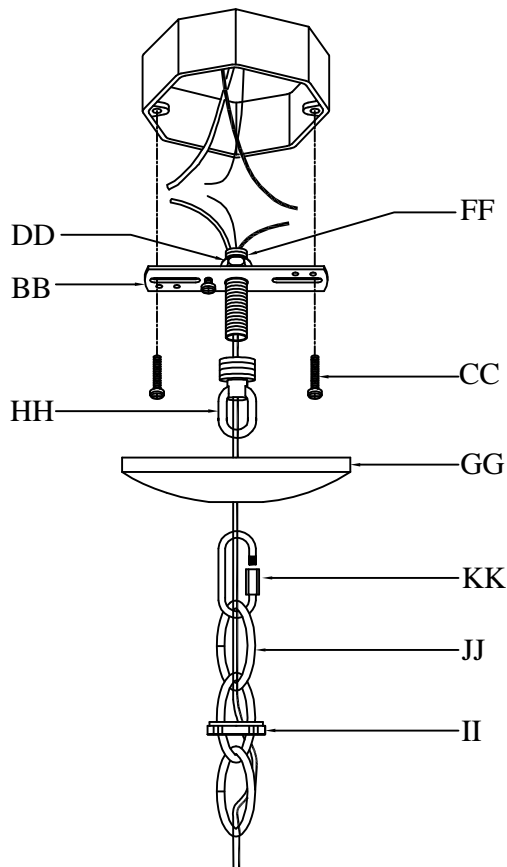
# Installation instructions

## 1 Installing the cross bar



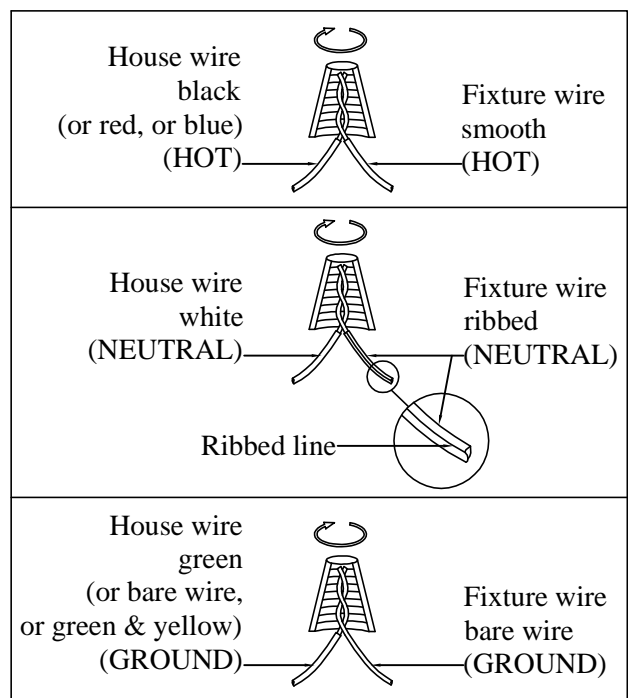
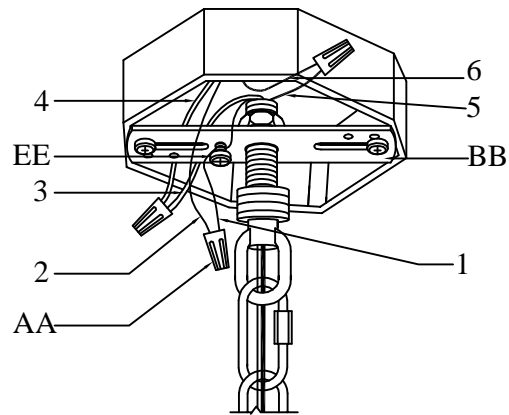
**CAUTION:** Ensure the power is off at the main fuse box prior to beginning installation.

- Turn off the switch at the wall.
  - Turn the power off at the main fuse box.
  - Install the cross bar (BB) with nipple (FF), lock nut (DD) to the outlet box using two outlet box screws (CC).
  - Unscrew the screw collar nut (II) from the screw collar loop (HH).
  - Slide the screw collar nut (II) and then the canopy (GG) onto the end of the chain (JJ).
  - Attach the quick link (KK) to end of the chain (JJ) and attach the quick link (KK) to the screw collar loop (HH).
- Note: The quick link (KK) must be fully treaded closed.
- Insert the fixture wires up through the nipple (FF).



## 2 Connecting the wires

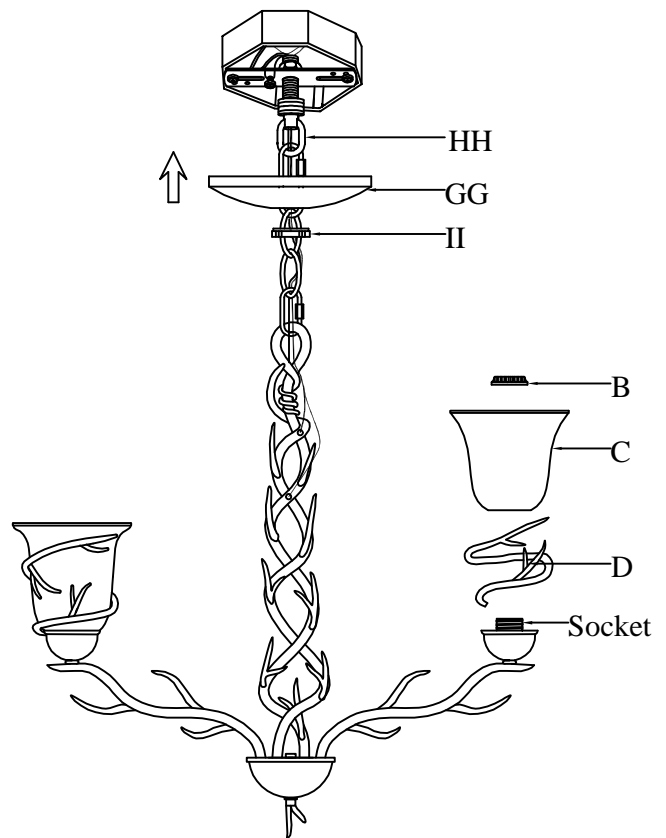
- Install the fixture bare copper ground wire (1) under the ground screw (EE) on the crossbar (BB).
- Connect the fixture bare copper ground wire (1) to the green (or bare, or green & yellow) supply ground wire (2) in the outlet box using a wire nut (AA).
- Connect the ribbed fixture wire (3) to the white (or ribbed) supply wire (4) in the outlet box using a wire nut (AA).
- Connect the smooth fixture wire (5) to the black (or red, or blue) supply wire (6) in the outlet box using a wire nut (AA).



# Installation instructions (continued)

## 3 Hanging the light fixture & installing the bulbs

- ❑ Push all excess wires into the outlet box.
- ❑ Raise the canopy (GG) to the ceiling and secure in place by screwing the screw collar nut (II) onto the screw collar loop (HH).
- ❑ Remove the socket rings (B) from sockets by unscrewing the socket rings (B).
- ❑ Place twig crowns (D) over the sockets, twig crowns should seat into the notches in cups and rest securely in a level position.
- ❑ Place the glass shades (C) over the sockets and secure with the socket rings (B).
- ❑ Prior to installing the bulbs, please inspect the sockets for silica packet, if packet is present, remove and throw away, do not expose to children and pets.
- ❑ Install six 120V, 60Hz, 60-Watt maximum medium base type "A" bulbs (not included) into the sockets.



## Care and Cleaning

- ❑ Clean the light fixture with a soft, dry cloth. Do not use any cleaners with chemicals, solvents, or harsh abrasives.

## Troubleshooting

Problem	Possible Cause	Solution
The bulb will not light.	❑ The bulb is burned out.	❑ Replace the light bulb.
	❑ The power is off.	❑ Ensure that the power supply is turned on.
	❑ There is a faulty wire connection.	❑ Check the wiring.
	❑ The circuit breaker is off.	❑ Ensure that the circuit breaker is set in the on position.
The fuse blows or a circuit breaker trips when the light is turned on.	<ul style="list-style-type: none"> <li>❑ There is an exposed wire.</li> <li>❑ There are too many items on one circuit.</li> </ul>	<ul style="list-style-type: none"> <li>❑ Discontinue use of the light fixture.</li> <li>❑ Contact a qualified electrician or call the Customer Service Team at 904-642-4340.</li> <li>❑ Unplug other items on the circuit.</li> </ul>



ALL • TOGETHER • BETTER



[www.kenroyhome.com](http://www.kenroyhome.com)

---

## CUSTOMER SUPPORT TEAM

For any additional questions or concerns please contact our Customer Support Team:



**904-642-4340**



**@KenroyHome**



**[customerorders@kenroyhome.com](mailto:customerorders@kenroyhome.com)**